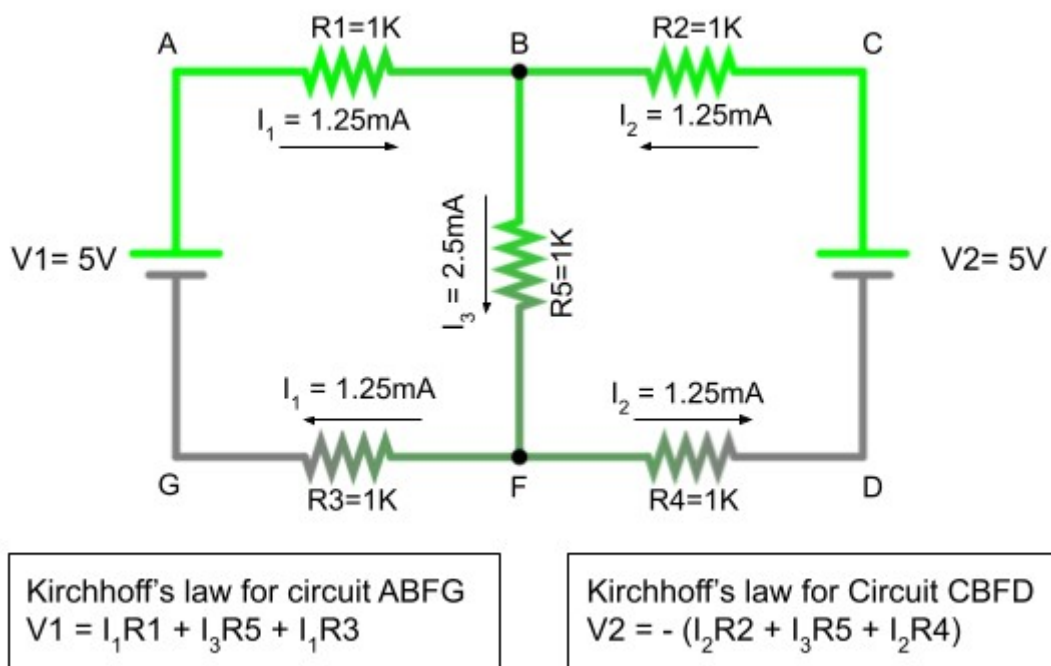


CircuitJS
Kirchhoff's Law – Assignment

Assignment:



1. In the above circuit, change the value of V1 to 12V and value of R5 to 4 Kilo Ohms.
2. Keep the values same for other components in the circuit.
3. Verify Kirchhoff's Voltage and Current laws