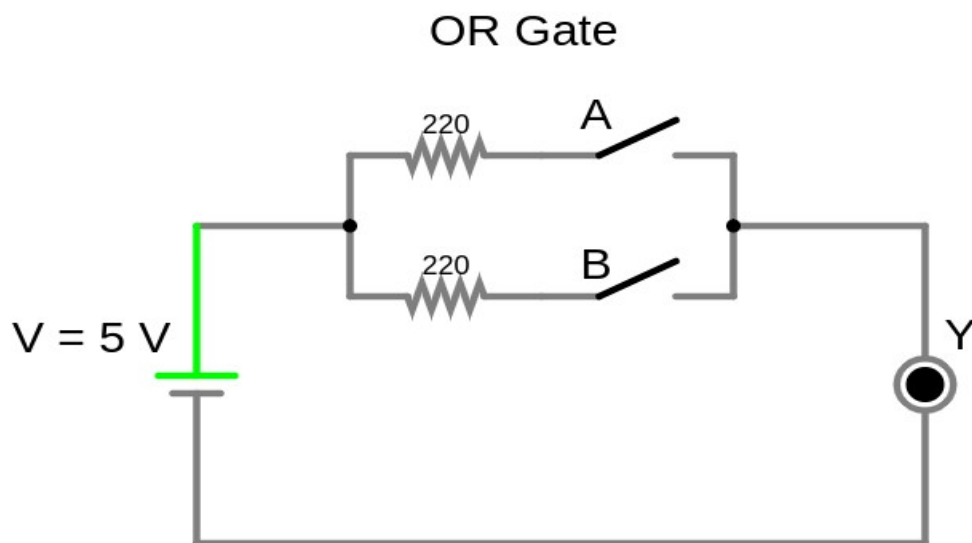


CircuitJS
OR Gate – Assignment

Assignment 1:

1. Using the **switches** and **LED** circuit, verify the **OR** gate truth table

OR gate with switches and LED



OR Gate Truth Table

A	B	Y
0	0	0
0	1	1
1	0	1
1	1	1

Assignment 2:

1. With the **OR** Gate component, check and verify the **OR** gate truth table

OR Gate component:

